



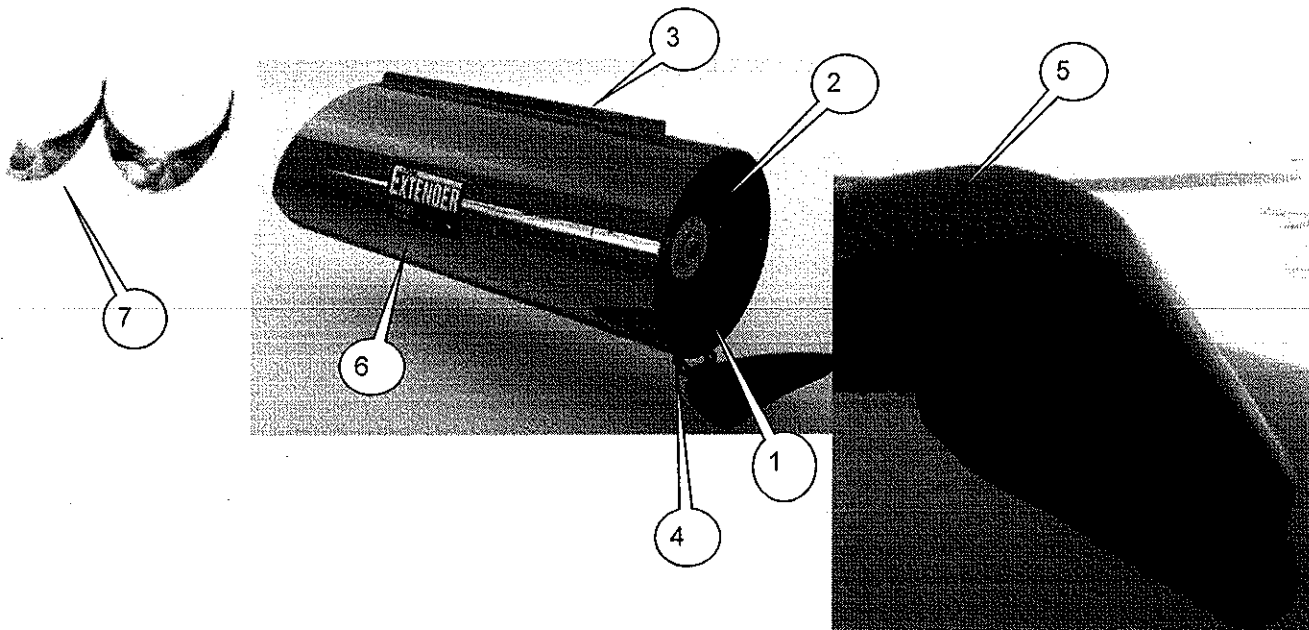
Box 1087  
Weyburn, Sask.  
S4H 2L3

Call Toll Free 1-866-940-4411

# CNH-FT-3 Extender Installation Instructions

## Installation Drawing for FT-3 Extender

Description	Part Number	Quantity
Hardware Kit Contains Items 1 to 4 (in sealed poly bag)		
1. Bearing (30mm) & collar AEL206D1	AEL206D1	1
2.#62 Bearing flangettes	62mm-3	2
3. Bolt Package EBPKFT3	EBPK-CNH-FT3	1
4. 10g door Blank	(see figure 5 page :	1
5. #14 - Spout	EXT-CNH-FSSP	1
6. Main Sleeve Assembly	EXT-CNH-FT3-OT	1
7. Flighting EFCFT-LH32	EFCFT-LH32	1



For Case & New Holland Models

Case Combines for Models 7010 & 8010 to 2006 & 6088 to 9230 models 2009 newer and New Holland CR & CX combines 2009 & Newer

New Holland Combines for Models CR960 & CR970 CX 960 & CX970 to 2006

Installation Instructions:

1. Remove end cap, rubber spout, and bearing from unloading Auger.

**CAUTION NOTE:** *When removing bearing do not pull out on auger as the auger may drop off the spline in the middle of the auger. This will result in having to put the auger back in place as well as re-timing the auger. On some Case combine models there is no inspection door and removing the entire auger may be necessary to do this. This whole procedure if not done correctly could add substantial extra time to the installation.*

2. Slide on flighting to match up to existing flighting and stitch weld on. Cut flighting off flush with end of auger tube (4 1/2")(Figure 2) to allow flighting to turn past bearing flange when they are mounted to the bearing shaft (30mm" diameter shaft). This can be done by placing a straight edge across the end of the 4 1/2" tube and marking the flighting. Cut off the excess flighting.

figure 2

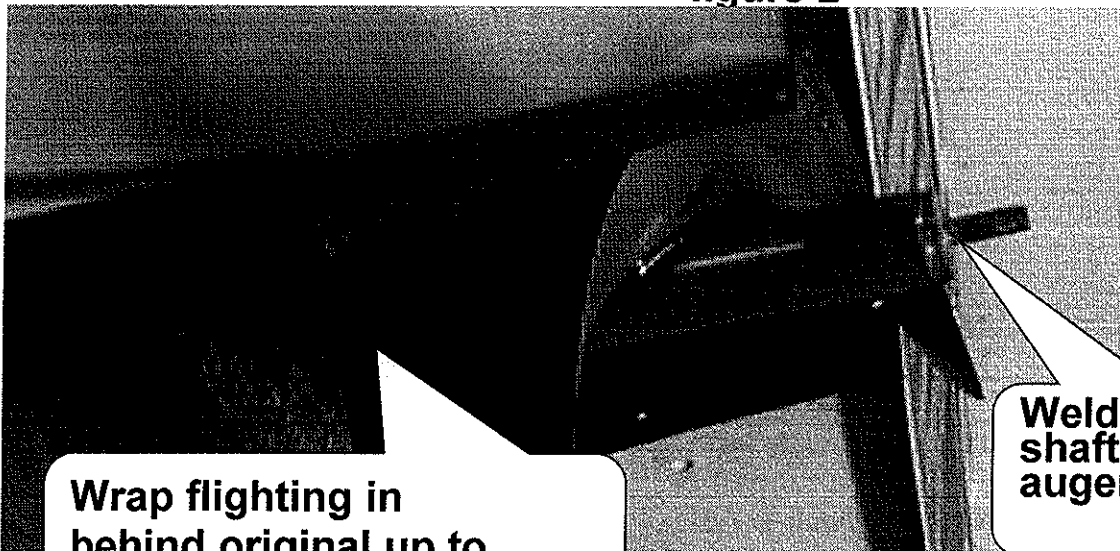
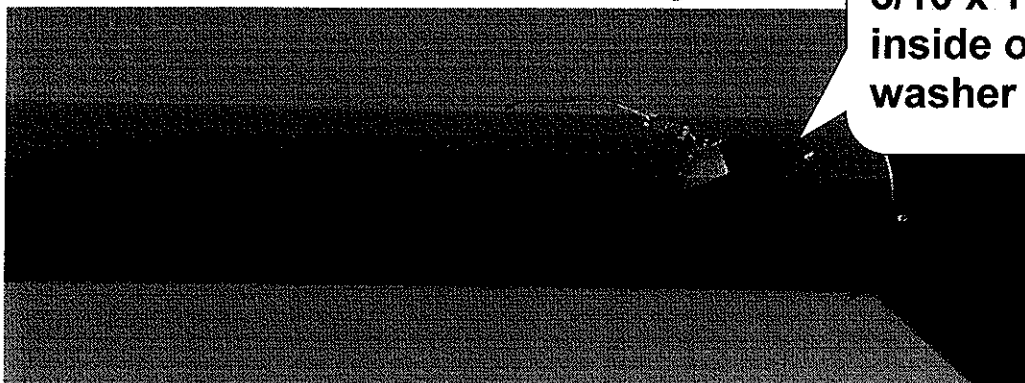


figure 3



3. Slide Extender tube in place mounting 1 bolt (5/16 x 1-1/4 hex bolt & locknut) to left hand side matching up with existing slots on auger tube with bolt mounted from the inside out.(Figure 3)

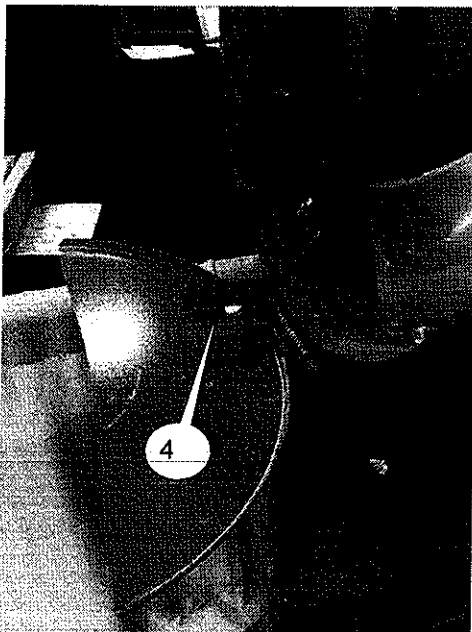
4. Bolt top 8 bolts and tighten on top of sleeve using 5/16 x 1-1/4 hex bolts & locknuts.

5. Install bolt to right side (slotted holes) and tighten (use 2 -5/16 x 1-1/4" hex bolts & locknuts) again mounting the bolts from the inside out.

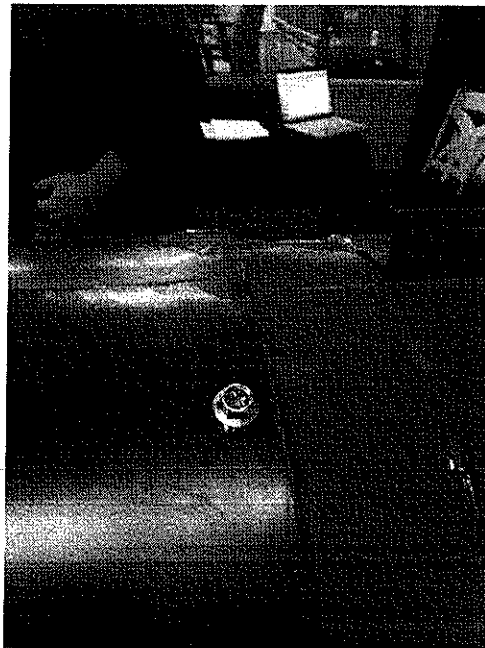
6. Install bearing in hanger in the proper position on the auger shaft .Move in or out to align the bearing in the proper spot. Tighten bolts on tube clamp and bearing flangettes.

7. To Install spout insert hinge blank between hinge and extender sleeve to keep door open(Fig. 5). This makes install of the spout much easier. Install spout by sliding over the end of the tube bottom first . Line up seam on spout with seam on Extender tube top . Pull bottom of spout out against grain saver door. (The top of the spout may have to be pried over the edge of the sleeve with a screw driver). Then put in 1/4" flange hex bolts and fender washers on top to hold spout in place. Add the rest of bolts and washers. Reach in from end with hooked rod and check that door moves freely This will free the hinge blank holding the door open. It is critical for the operation of the Grain saver door that the spout and tube seams line up. If door binds on one side adjust by loosening bolts turning spout slightly.

**Figure 5**



**Figure 6**



**WARRANTY: STEWART STEEL INC. WARRANTY COVERS ALL THE ABOVE PARTS FOR A PERIOD OF 1 YEAR FROM TIME OF PURCHASE. THE WARRANTY DOES NOT COVER ANY PARTS MADE AND SOLD BY THE ORIGINAL MANUFACTURER OR ANY PARTS THAT WERE PART OF THE ORIGINAL COMBINE CONSTRUCTION. NEVER LEAVE UNLOADING AUGER FULL UNLESS ABSOLUTELY NECESSARY!**